

Ray Spec Sheet

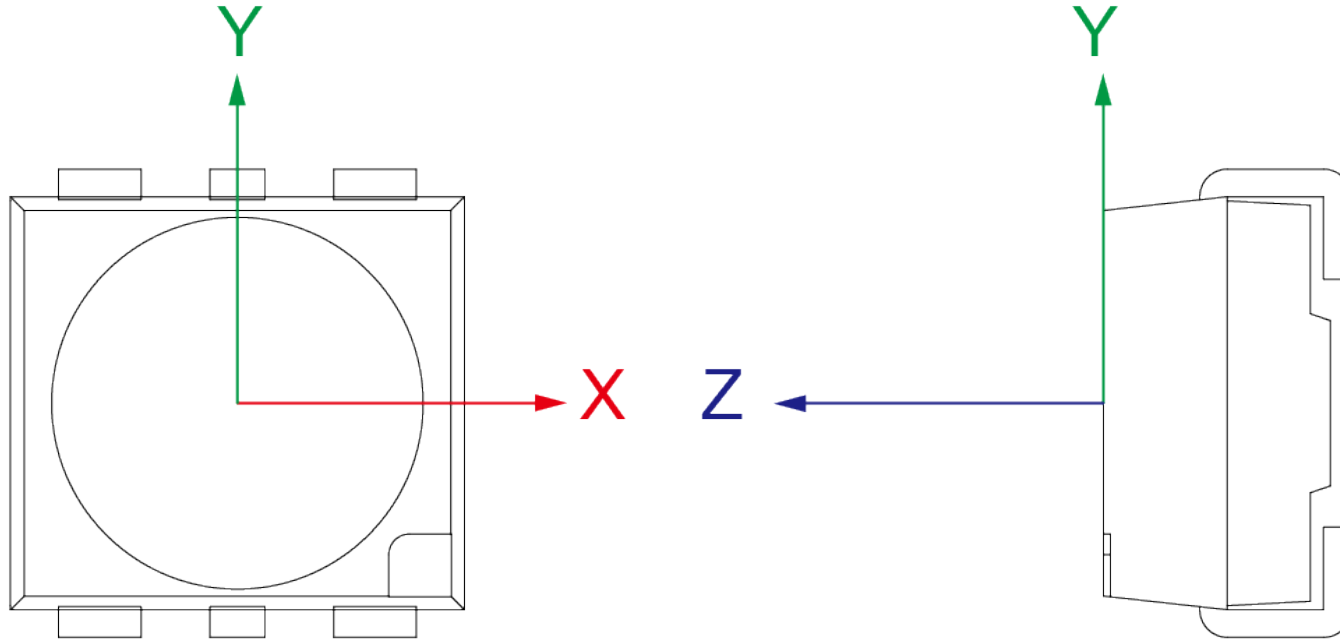
A09K-SR1501H-AM

www.everlight.com

EVERLIGHT
— **AUTOMOTIVE**

A09K-SR1501H-AM

Measurement Reference Location

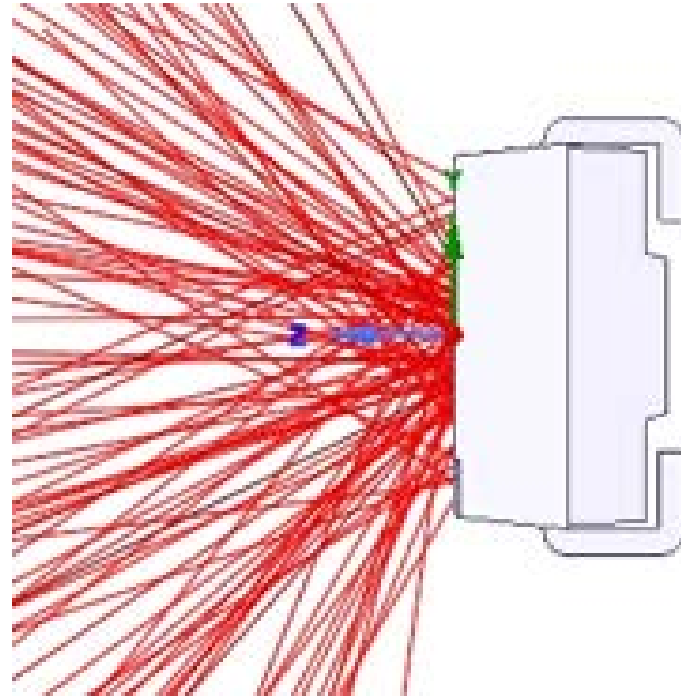
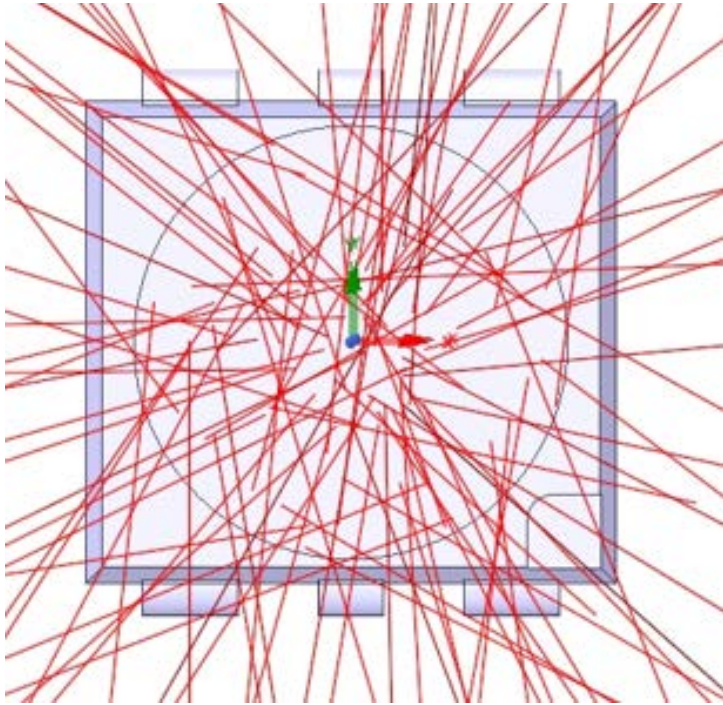


The units used for the coordinates in the ray file and for the CAD model are mm.

- Ray Axis : (X: 0mm, Y: 0mm)
- Focus Axis : (X: 0.03mm , Y: 0.02mm)
- Chip Axis : (X: 0mm , Y: 0mm)

A09K-SR1501H-AM

Modeling & Ray file diagram



A09K-SR1501H-AM

Radiation Pattern

