

# Ray Spec Sheet

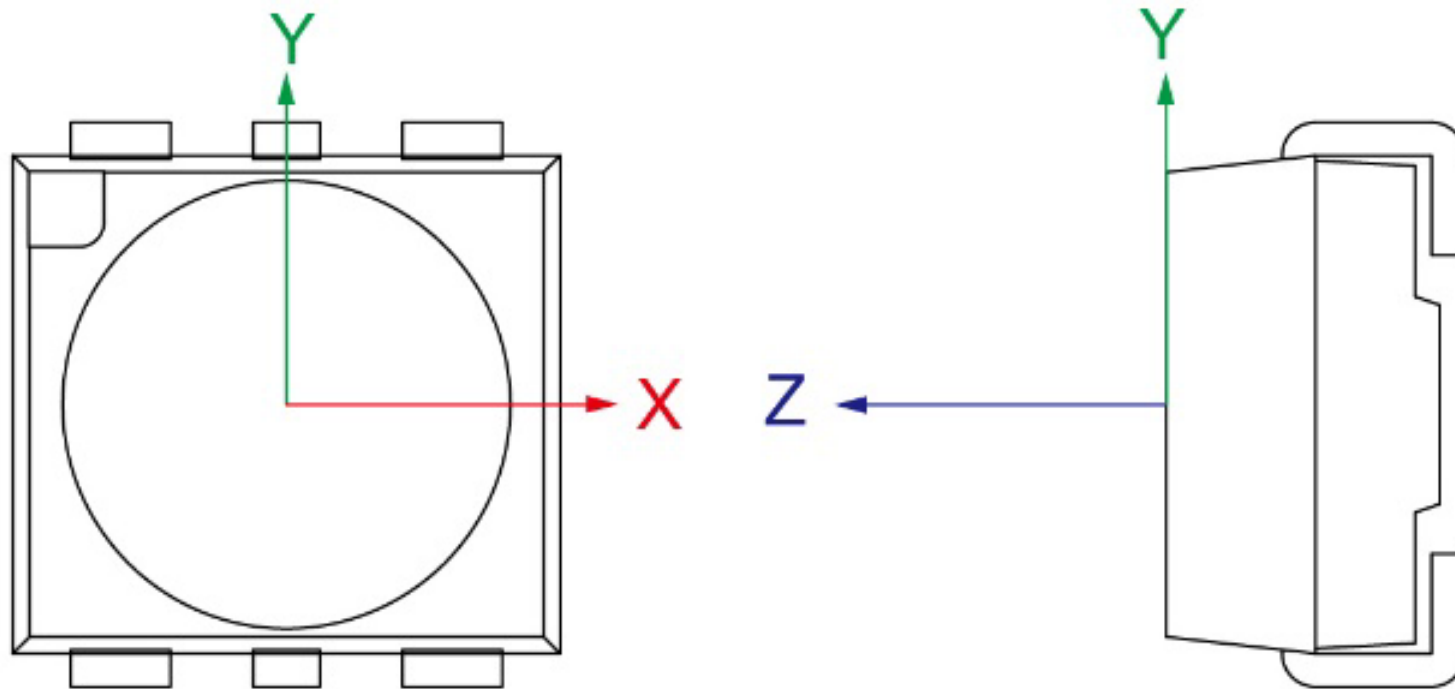
A09K-UY1501H-AM

[www.everlight.com](http://www.everlight.com)

**EVERLIGHT**  
— **AUTOMOTIVE**

# A09K-UY1501H-AM

## Measurement Reference Location

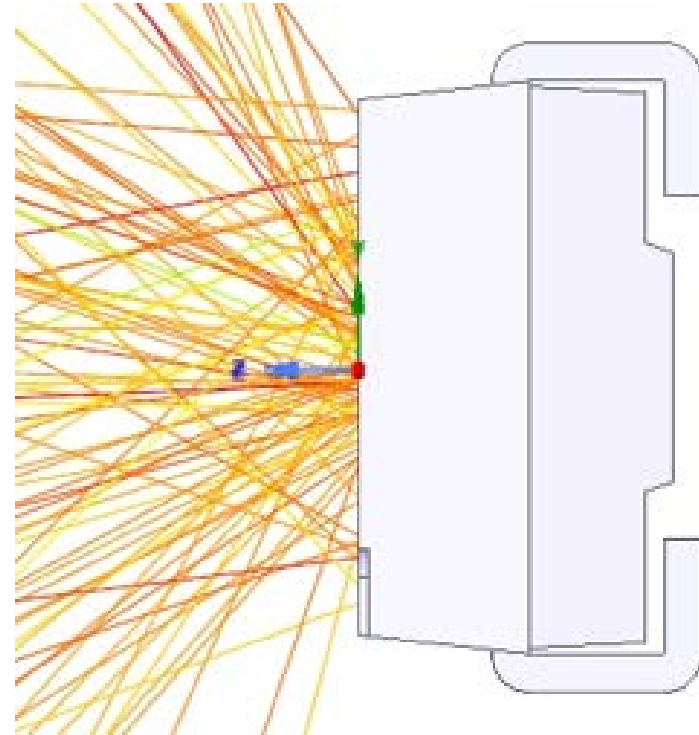
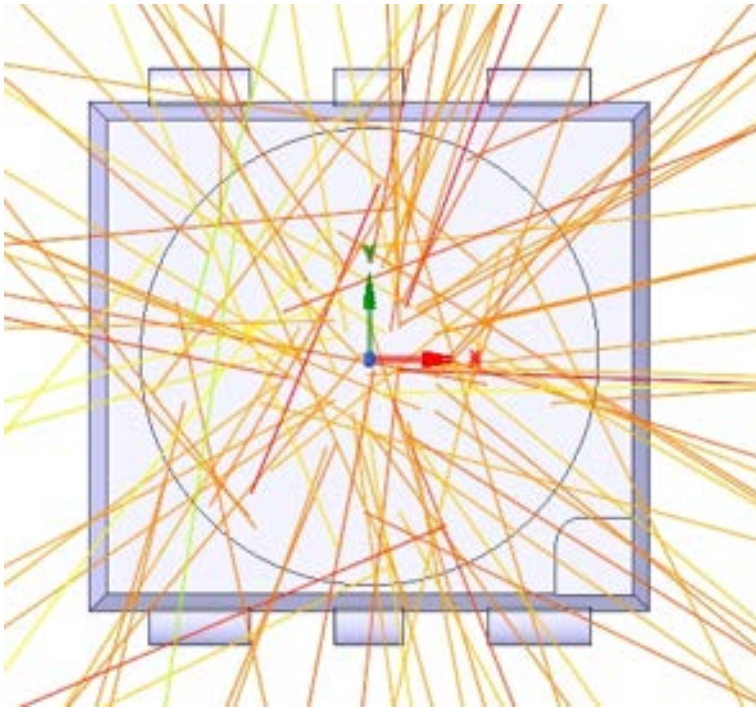


The units used for the coordinates in the ray file and for the CAD model are mm.

- Ray Axis : (X: 0mm, Y: 0mm)
- Focus Axis : (X: 0mm , Y: -0.03mm)

# A09K-UY1501H-AM

Modeling & Ray file diagram



# A09K-UY1501H-AM

## Radiation Pattern

